



Artikel

Implementation eBudgeting Against Performance PT Primer Eka Property Through Internal Control

Yozia Josephine¹, Riki²,

¹Universitas Buddhi Dharma, Sistem Informasi, Banten, Indonesia

² Universitas Buddhi Dharma, Sistem Informasi, Banten, Indonesia

SUBMISSION TRACK

Received: August 8, 2017

Final Revision: August 20, 2017

Available Online: September 15, 2017

KEYWORD

Design, Implementation, Budgeting, Costs

CORRESPONDENCE

Telepon: 085719845956

E-mail: yoziajosephine10@gmail.com

ABSTRACT

Cost management budget applications are needed by the Company in the business process. The design of the budget system to be built aims to create a budget that will be used for a certain period and without any changes in the current period so that the system can produce an accurate report and improve the effectiveness and efficiency in determining the funds required division. Data collection method used is by doing observation, interview and literature study. The design result of this writing is a budget management system in the form of web cost so that the control in the financing required by each division and can avoid the occurrence of excess or lack of budget. Based on the results of the design and implementation of the budget draft can solve the problem in the process of financing at PT Primer Eka Property.

INTRODUCTION

Among the various aspects of the company, the cost budget is the most important thing to maintain the stability between income and expenses incurred to meet operational and promotional needs.

The first problem that often arises is the absence of planning on the budget cost so that the expense of greater than the revenue received (Over Budget). The second problem is the absence of good budget planning can also lead to lack of funds provided by the company so that the budget (budget) that has been made not in accordance with the paid so that the budget (budget) becomes irrelevant Running scope: each division enters data using excel, the standard cost budget format used in 1 year running, then uploads the excel file, and is validated by each manager.

With the objective: to produce reports that the company needs as an evaluation material and

direct control costs with the budget to remain stable. Where the benefits: simplify the recapitulation process of all divisions and generate relevant budget costs, minimize errors and simplify the calculation of budget costs.

I. METHODS

Framework of thought can be seen in figure 1

Table 1. SWOT Analysis

<i>STRENGTH</i>		<i>WEAKNESS</i>	
1.	Can make a budget quickly.	1.	Some parts are done manually so that the possibility of error is quite large.
2.	The face-to-face budgeting of each division with the financial division can clarify the purpose and cost to be used.	2.	The occurrence of excess costs because the budget is not controlled.

3. Can change and manage Real Time figures.	3. Planning costs that have not been too prepared.
OPPORTUNITY	THREAT
1. With budget making directly there is no doubt from each division as it will be clearer with the meeting of each division with the financial division.	1. The need for sudden funds that make the financial difficulties in finding sources of funds.
2. More structured budget to be prepared.	2. Payment that should be paid is postponed due to sudden funding needs.
	3. Can affect company cashflow.

Identify needs

Requirement: Automated budgeting app

Problem: Often over budget

Proposed: Can upload excel and compile budget report

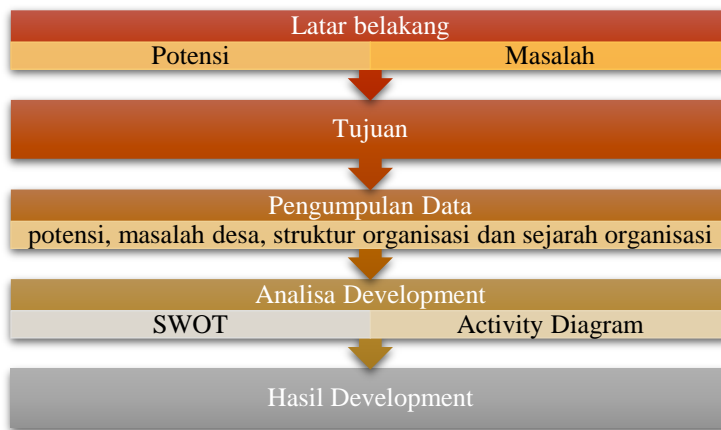


Fig 1 : Development Framework

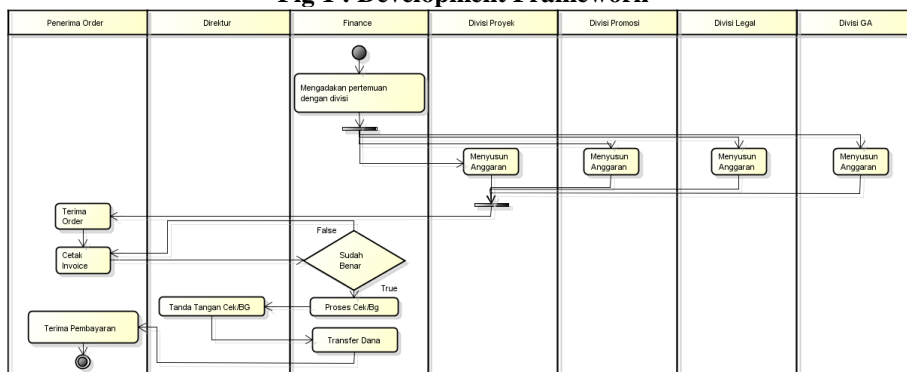


Fig 2 : Bussiness Process

II. RESULTS

Table 2. Problem and Solution Correlation

No	Problems	Settleme nt Approach	Solutio ns	Modul/F itur
1	In the process of determining the	SWOT, Identificat ion needs, Usecase	There is a feature that	Features of approval budget

budget is often the occurrence of changes so that often the occurrence of a sudden		require s a well-prepared budget so that nothing change s	that will be approve by finance
--	--	---	---------------------------------

	funding needs							
2	At the time of budget determination is done by meeting between the finances with each division so it is not effective	SWOT, Identificat ion needs, Usecase	There are feature s that can make each divisio n create its own cost budget	Upload Budget Features	not connected to the cost budget		reducin g the budget directly so that budget usage is more control led	
3	At the time of making the charge, it's manually made and	SWOT, Identificat ion needs, Usecase	Adany a fitur input data keluar yang dapat	Fitur <i>Cash Out</i> yang akan inputted finance	4	At the time the bill was made manually and not connected to the cost budget	SWOT, Identificat ion needs, Usecase	The presenc e of input data entry feature that can restore the budget unused / more Cash In feature to be inputted finance

III. DISCUSSION

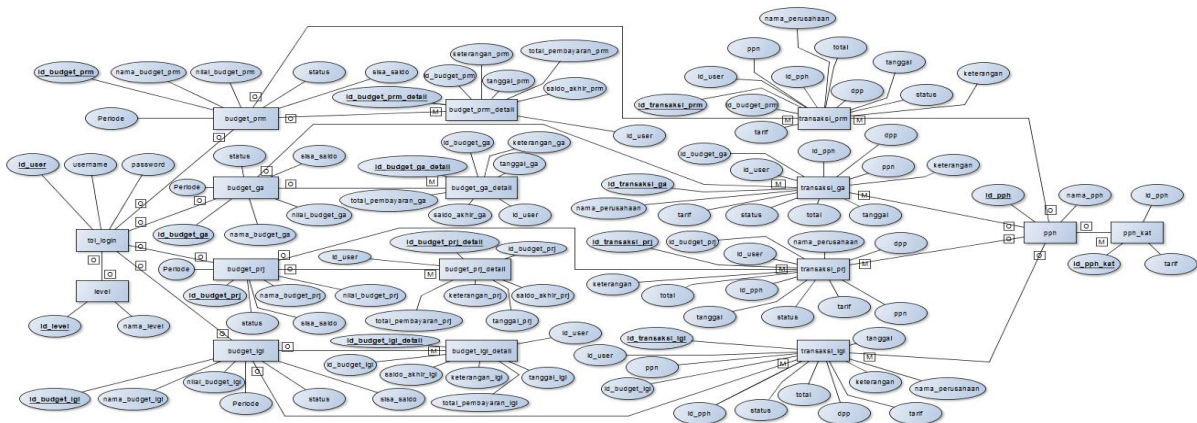


Fig 3 : ERD

ER Chart Transformation To Logical Record Structure

- From group table level created group login table.
- From the login table group is connected to the budget detail transaction group in which there is the same attribute that is id_user.
- There is a budget transactions group linked to a detailed budget transaction

through the id_budget attribute and the budget transaction group also connected with the transaction through the id_budget attribute.

- Group table pph category linked to group pph table with id_pph attribute.
- The pph table group is linked to the transaction table group with the id_pph attribute

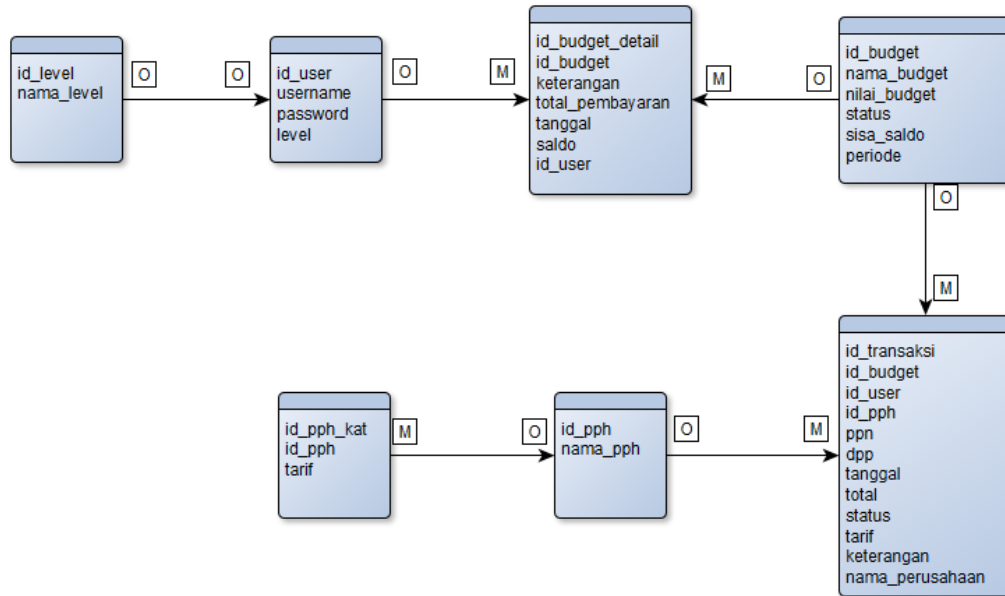


Fig 4 : LRS

Dashboard Summary:

- Total Budget Approval: 200010050
- Total Tagihan Pending: 10.8
- Transaksi Paid: 0

Detail Budget Approval

id_budget	nama_budget	nilai_budget	status
PRJ001	Pekerjaan Tiang Pancang	10000	Approve
PRJ002	Perencanaan Tiang Pancang	50000000	Approve
PRJ003	Pengadaan Tiang Pancang	60000000	Approve
PRJ004	Pengadaan Elektrikal	20000000	Approve
PRJ005	Pekerjaan Elektrikal	40000000	Approve
PRJ006	Pengadaan Genset	30000000	Approve
PRM001	Pekerjaan Tiang Pancang	50	Approve

Total Tagihan Pending

id_budget	nama_perusahaan	total	status
PRM001	dcdsd	10.8	UNPAID

Transaksi Paid

id_budget	nama_perusahaan	total	status
-----------	-----------------	-------	--------

Fig 5 : Dashboard eBudgeting

IV. CONCLUSION

1. This application can help finance in controlling the cost budget of each division.
2. This application can facilitate the finance between divisions in preparing the budget
3. This application can help the finance department in creating budget, process the bill directly connected to the budget that is prepared to create a report that can be useful for all divisions and directors.

so that the cost becomes more effective and accurate.

REFERENSI

- A. S, Rosa dan Salahuddin, M. *Modul Pembelajaran Rekayasa Perangkat (Terstruktur dan Berorientasi Objek)*. Bandung: Informatika, 2013.
- Adi Nugroho, Yos Richard Beeh, Hettyca Astuningdyas. *Perancangan Aplikasi Rencana Anggaran Biaya (RAB) (Studi Kasus Pada Dinas Pekerjaan Umum Kota Salatiga)*, 2009.
- Anhar. *PHP & MySql Secara Otodidak*. Jakarta: PT. Trans Media, 2010.
- Arief, M Rudianto. *Pemrograman Web Dinamis menggunakan PHP dan MySql*. Yogyakarta: CV. Andi Offset, 2011.
- Brady, M.,& Loonam, J.,. *Exploring The Use Of Entity-Relationship Diagramming as a technique to support grounded theory inquiry*. Bradford: Emerald Group Publishing, 2010.
- Christina, Ellen. *Anggaran Perusahaan*. Jakarta: Gramedia Pustaka Utama, 2011.
- Conolly, T., Begg, c. *Database Systems : a pratical approach to design, implementation, and management*. America: Pearson Education, 2010.
- Hidayat, Rahmat. *Cara Praktis Membangun Website Gratis : Pengertian Website* . Jakarta: PT Elex Media Komputindo Kompas, Gramedia, 2010.
- Ismatulloh, Dedi. *Akuntansi pemerintahan*. Jakarta: Salemba Empat, 2010.
- Kadir, Abdul. *Pengenalan Sistem Informasi*. Yogyakarta: Andi, 2009.
- Kumorotomo, Wahyudi dan subando margono Agus. *Sistem Informasi Manajemen dan Organisasi - Organisasi Publik*. Yogyakarta: Gadjah Mada University Press, 2011.
- Madcoms. *Aplikasi Program PHP + MySql Untuk Membuat Website Interaktif*. Yogyakarta: Andi, 2009.
- Moekijat, Prasajo. *Pengantar Sistem Informasi Manajemen*. Bandung: CV. Remadja Karya, 2011.
- Moh. Rizal Hidayat, Arifin Puji Widodo, Ayuningtyas. *Rancang Bangun Aplikasi Analisis Laporan Realisasi Anggaran Pembangunan Gedung Mengacu Pada Standar Nasional Indonesia Pada CV Citra Mandiri Solution*, 2014.
- Murya, Yosef. *PHP Menyelesaikan Website 30 Juta Rupiah*. Jakarta: Jasakom, 2012.
- Mustakini, Jogiyanto Hartono. *Sistem Informasi Teknologi* . Yogyakarta: Andi, 2009.
- Nafarin, M. *penganggaran perusahaan*. Jakarta: Salemba Empat, 2009.
- Noerdiawan, Dedi. *Anggaran disuatu pemerintahan*. Jakarta: Salemba Empat, 2012.
- Octavian, Diar Puji. *Menjadi Programmer Jempolan Menggunakan PHP*. Yogyakarta: Mediacom, 2010.
- Raharjo, Budi. *Membuat Database Menggunakan MySql*. Bandung: Informatika, 2011.
- Rifanti, Tissa Pribadi, Apol Setiawan, Bambang. *Analisis keberhasilan implementasi aplikasi sistem informasi pengelolaan anggaran keuangan di STIE perbanas Surabaya menggunakan updated information system success model (ISSM)*, 2013.
- Riyanto, Bambang. *Dasar - Dasar Pembelajaran Perusahaan*. Yogyakarta: BPFE, 2010.
- Sadeli, Muhammad. *Dreamweaver CS6 Untuk Orang Awam*. Palembang: Maxicom, 2013.
- Satzinger, J.W et al. *System Analysis And Design In A Changing World*. Boston: Course Technology, 2010.

- Sholiq dan Prof. Dr. Ir. Imam Robandi, MT. *Analisis dan Perancangan Berorientasi Objek*. Bandung: Mutiara Indah, 2010.
- Sibero, AFK. *Web Programming Power Pack*. Yogyakarta: Mediacom, 2013.
- Sidik, Betha. *Pemrograman Web Dengan PHP*. Bandung: Informatika, 2012.
- Wahyudi. *Konsep Sistem Informasi dari Bit Sampai Ke Database*. Yogyakarta: Andi, 2008.
- Wicaksono, Yogi. *Membangun Bisnis Online dengan Mambo*. Jakarta: PT Elex Media Komputindo, 2008.

BIOGRAPHY

Yoza Josephine Graduated in Information Systems Studies (S1), 2017, works on PT Primer Eka Property as Finance and Accounting Supervisor.

Riki Graduated in Information Systems Study Program (S1) in eCommerce Year 2006, Informatics Engineering (S2) Program in Management Information System. Currently as a Permanent Lecturer in Information Systems Studies Program, Buddhist University Dharma